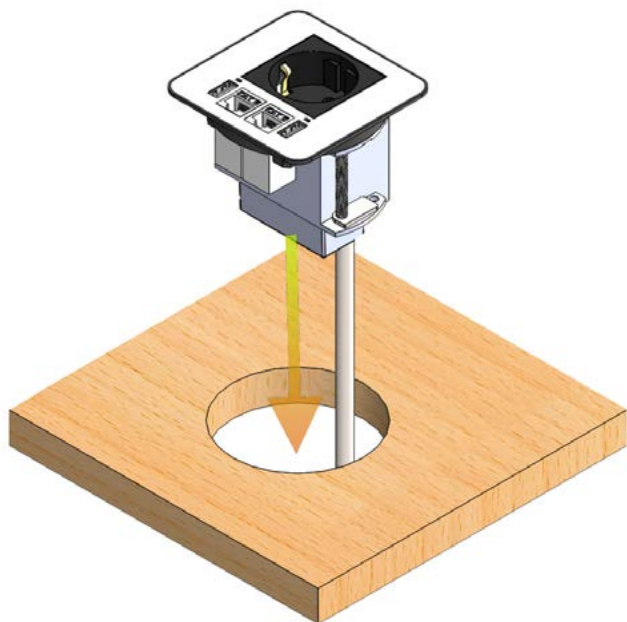


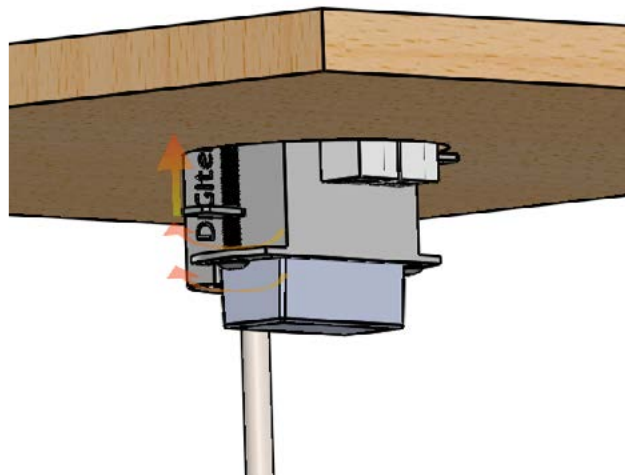
STEP 1

Insert the device in the $\varnothing 80$ opening you previously drilled.



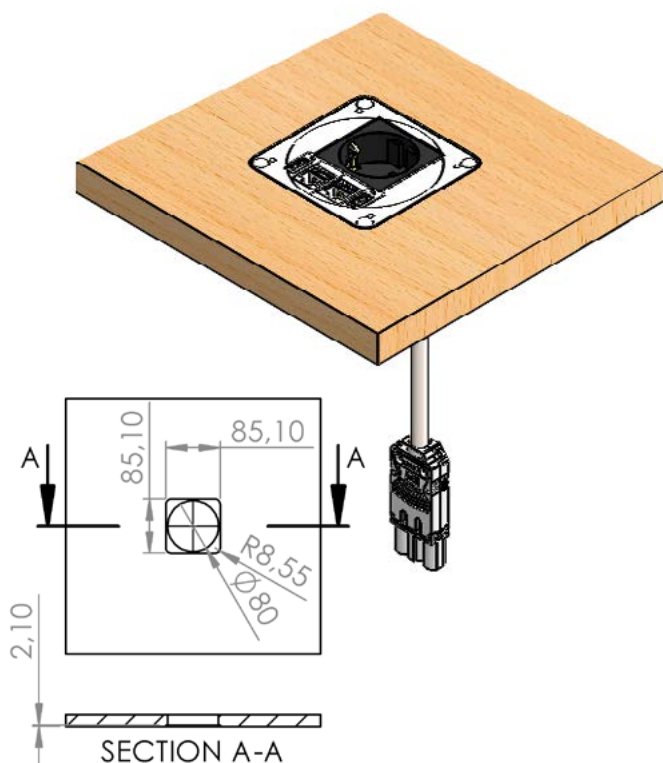
STEP 2

Tighten two screws at the bottom of the device in counter-clockwise direction until the holder plate reaches bottom surface of the element in wich the device is installed.



STEP 3 (OPTIONAL)

If you want to install the device flush with work surface, you need to create an opening in the work surface as shown in the image below.



STEP 4

When holder plate reaches bottom surface of the element in wich the device is installed, tighten both screws with moderate force.

