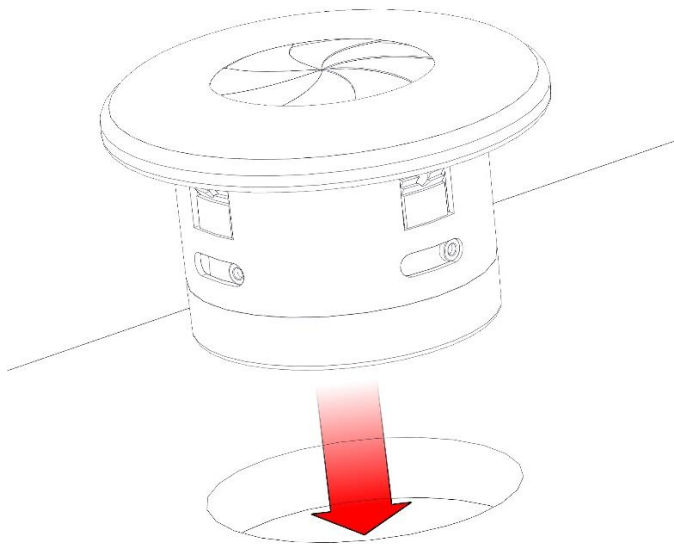
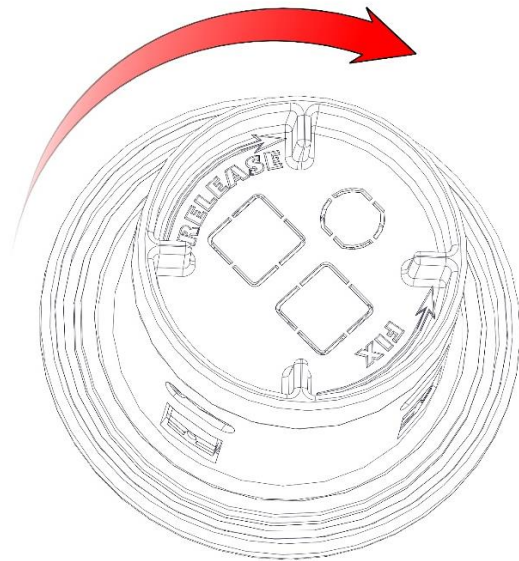
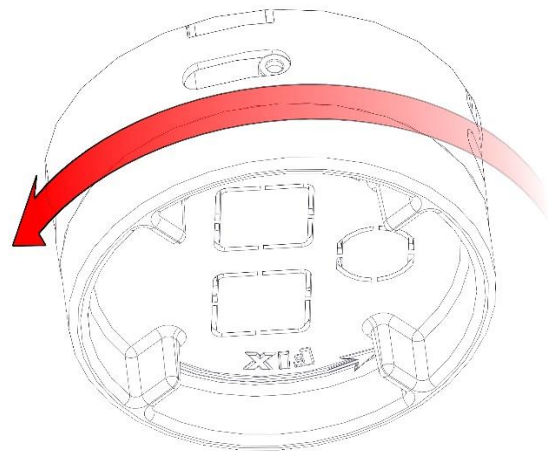


Hole for device mount is Ø 80mm

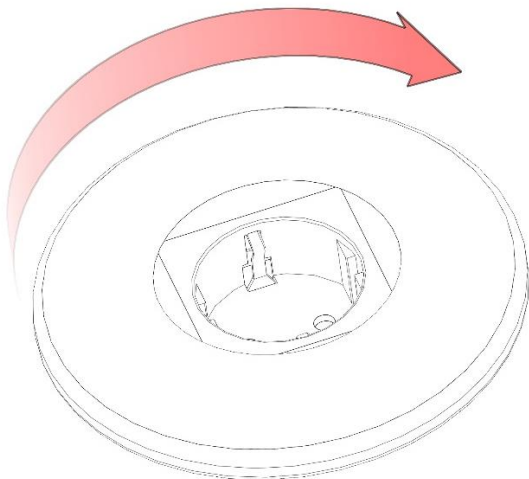
Make sure that the bottom cover is set to the end position in the direction of "RELEASE" arrow on the bottom of the cover



Place the device into the opening taking into account that the jack is turned as per user's demand



Rotate the bottom cover in the direction of the "FIX" arrow until the device is fully secured



Rotating the upper cover of the device to the right, provides the access to built-in sockets. When the device is not in use, rotate it in opposite direction to close the device and so protect the modules from external influences.